

LUBRICATING CHART

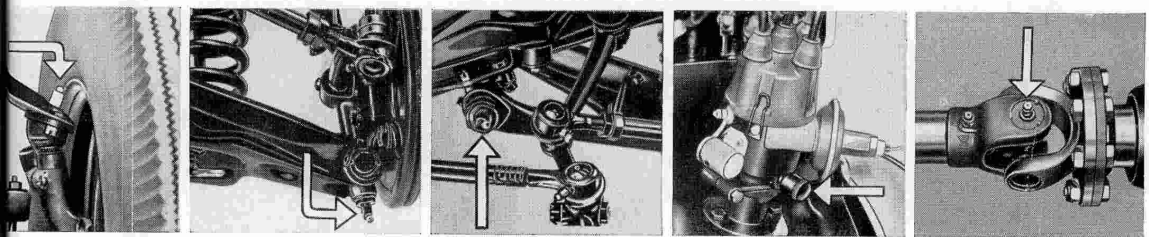
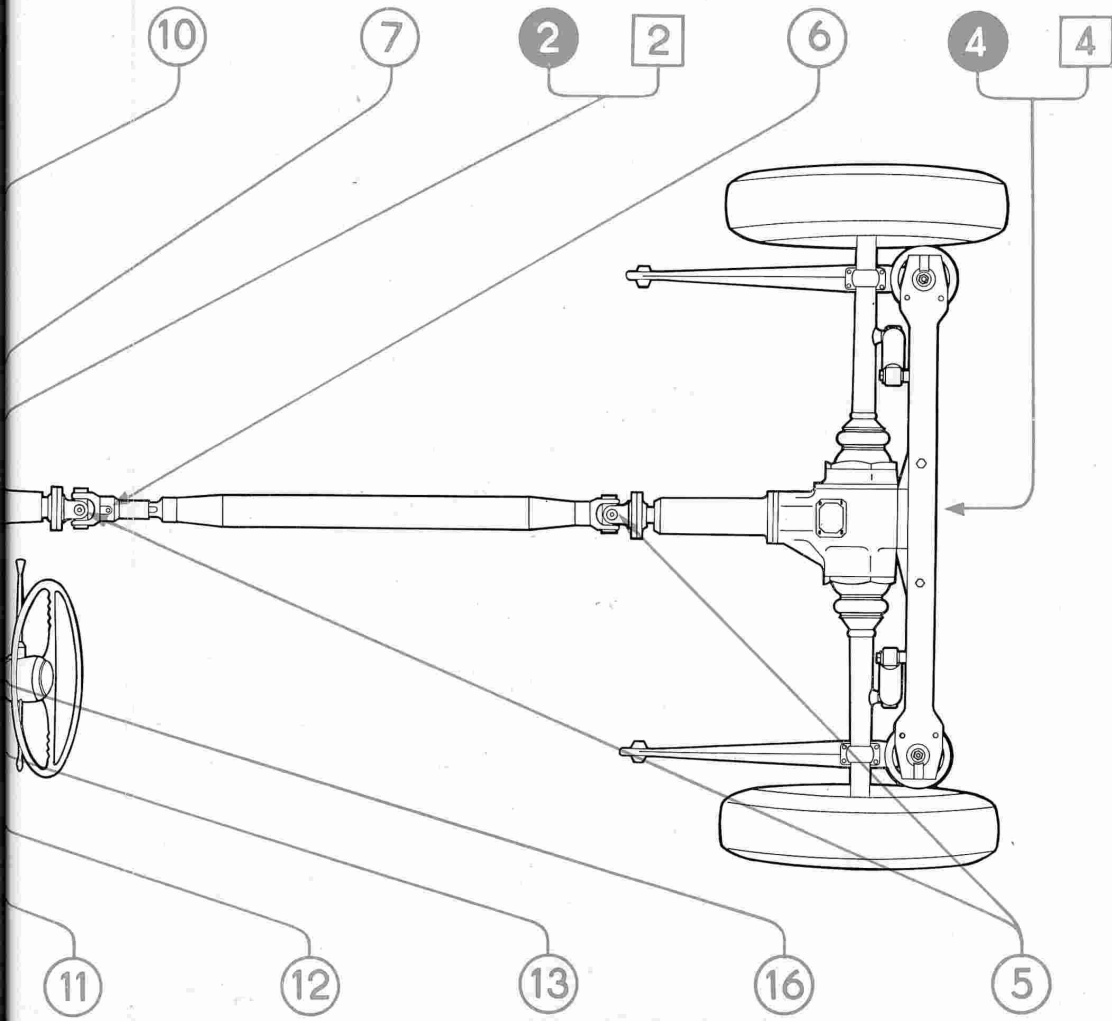
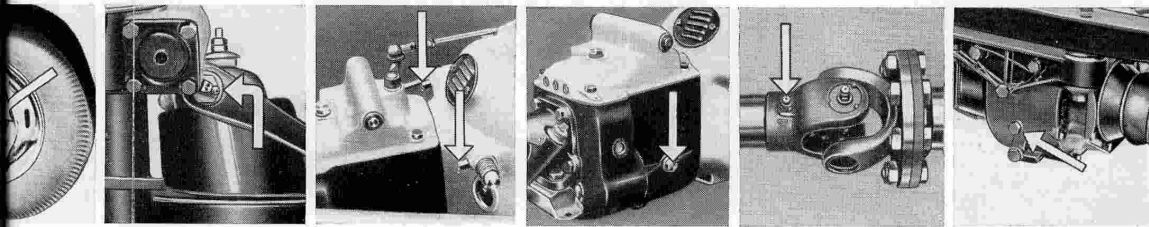
BORGWARD

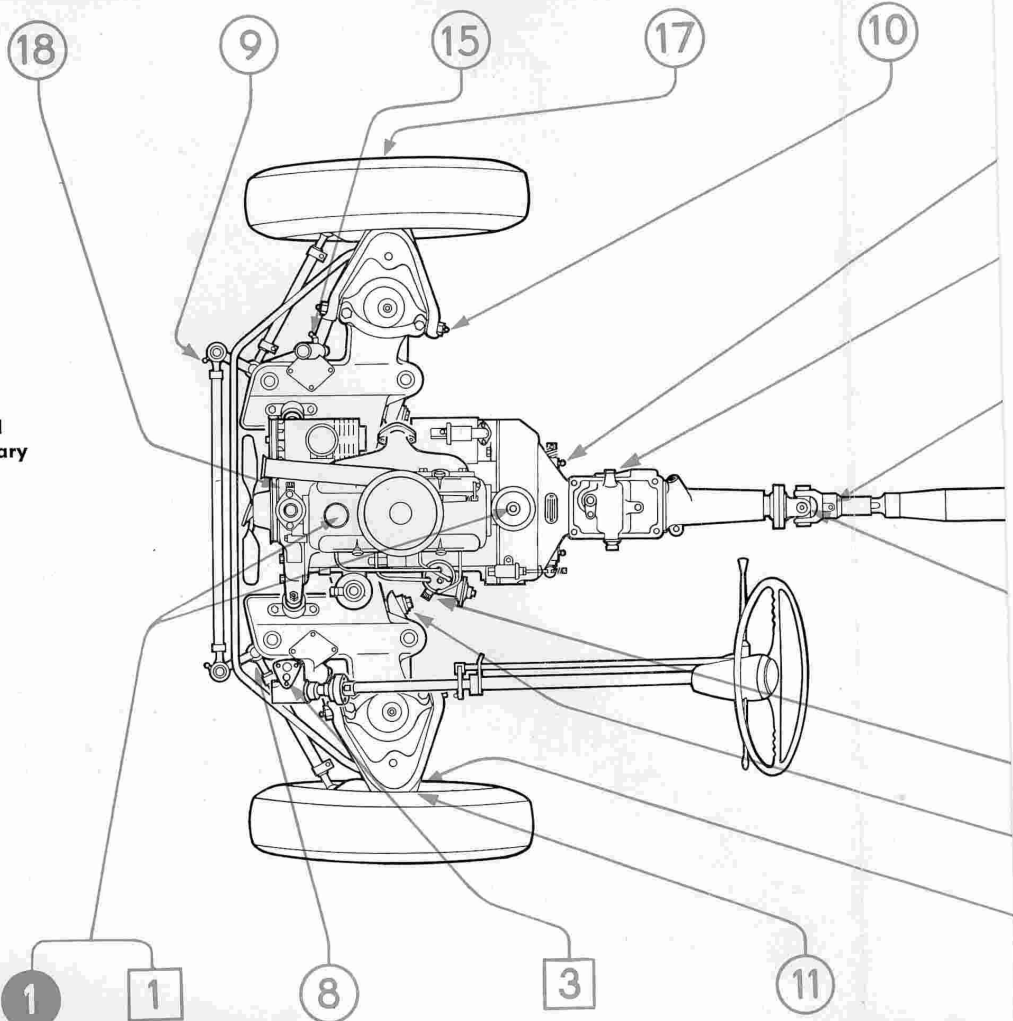
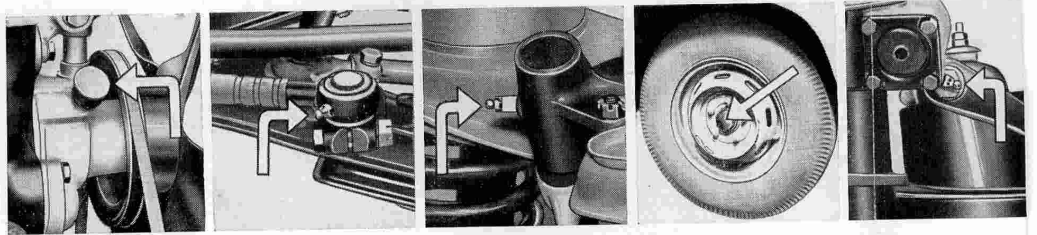
Isabella

All commercial grade lubricants of good quality can be used.

No.	Lubrication point/designation	Number	every km (miles in brackets)		Lubricants
			● ○ □		
1	Engine and filter after 9000 km (6000) change filter insert	1	3000 (2000)	daily	Engine oil summer and winter SAE 20/20 W under -8° C (+17.4 F) SAE 10 W For temperatures over 30° C (86° F) use engine oils of viscosity group SAE 30 or SAE 40
2	Gearbox	1	9000 (6000)	3000 (2000)	Gear oil SAE 90
3	Steering	1		3000 (2000)	
4	Rear axle	1	9000 (6000)	3000 (2000)	BV-Aral 90 Hypoid BP Hypoid SAE 90 Energol Deutsche Shell, Hypoid 90 I Deutsche Vacuum Mobiloil Gx90 Hypoid Esso X. P. 90 Hypoid Veedol Hypoid-Oil SAE 90
5	Power transmission - joints	1 rear 1 front	9000 (6000)		Lubricating grease
6	Power transmission, splined shaft	1	1500 (1000)		
7	Clutch cross shaft	2	1500 (1000)		
8	Thrust rod	2 left 2 right	1500 (1000)		
9	Tie rod	2	1500 (1000)		
10	Wishbone bearing, top	2 left 2 right	1500 (1000)		
11	Ball joint	1 left 1 right	1500 (1000)		
12	Wishbone bearing, bottom	1 left 1 right	1500 (1000)		
13	Link connector	1 left 1 right	1500 (1000)		
14	Brake cable		1500 (1000)		
15	Steering knuckle arm support, R. H.	1	1500 (1000)		
16	Distributor	1	3000 (2000)		
17	Frontwheel bearing	1 left 1 right	3000 / control (2000)		
18	Waterpump	Lubricator Leakage bore	1 1	1500 (1000) 1500 (1000)	
	Springs and chassis +)				Spray oil
	Engine cleaning +)				Engine flush oil
	Battery +)				Terminal grease
	Clutch master cylinder tank +)				Genuine "Blue Ate" or Lockheed brake fluid
	Brake master cylinder tank +)				

+) Not shown in the scheme.





- Check oil level
refill if necessary
- Greasing
- Oil change

